



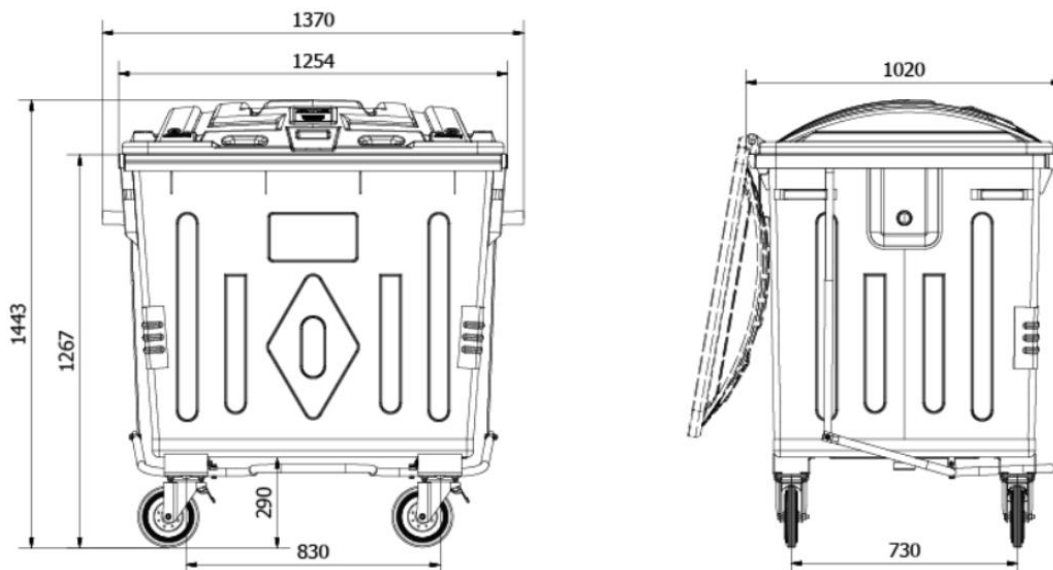
Date. 14/01/2025

Bid Bulletin No 1
4200797356 Supply and delivery of Metal Waste Bins

Q. Regarding the tender for the waste bins, it has been requested a special size which is not in use in the market.
Due to this reason the price is increased, as it is considered as special construction. Also, the delivery time is increased to 60 days approximately.

On the other hand, if the dimensions will follow the standard production which is 1100lt with dimensions 1370x1020x1443Hcms as the below sketch, the price will be lower, and the delivery time will be 3 weeks approximately.

Is this solution acceptable?



A. This is not acceptable